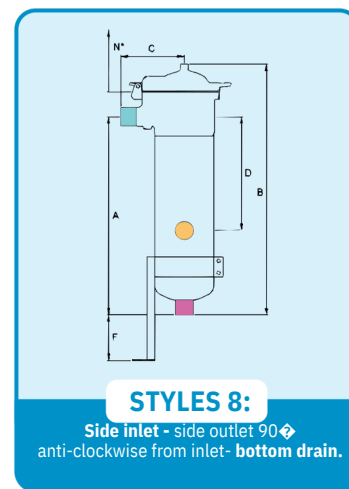
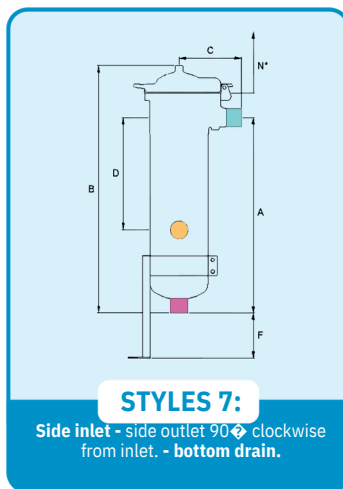
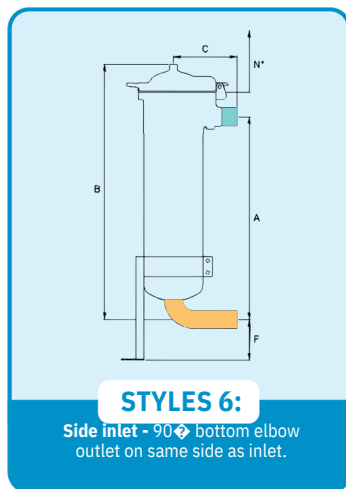
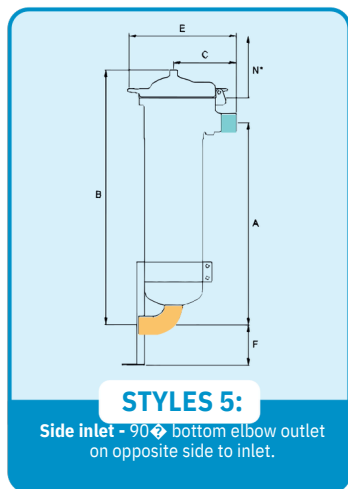


Such customisation and flexibility of design is a standard option.

Different orientations of inlet and outlet are referred to as housing "Styles". The cost of labour and materials associated with vessel installation can be substantially reduced if the most convenient style has been selected. Complex pipework arrangements are avoided and result in an economical solution to your needs.

WE OFFER A STANDARD CHOICE OF 8 STYLES AND OTHER ORIENTATIONS ARE AVAILABLE ON SPECIAL REQUEST.



MODEL	CONNECTION TYPE	STYLE	A	B	C	D	E	F	N*
RBFD12	2" BSP (F)	2	876	1088	143			0-280	710
RBFD12	2" BSP (F)	3	976	1188	143	795	286	0-190	710
RBFD12	2" BSP (F)	4,7,8	976	1188	143	795		0-190	710
RBFD12	2" BSP (F)	5	897	1109	143		286	60-260	710
RBFD12	2" BSP (F)	6	897	1109	143			60-260	710
RBFD12	2" Flanged	2	886	1098	176			0-270	710
RBFD12	2" Flanged	3	976	1188	176	795	352	0-190	710
RBFD12	2" Flanged	4,7,8	976	1188	176	795		0-190	710
RBFD12	2" Flanged	5	897	1109	176		352	90-260	710
RBFD12	2" Flanged	6	897	1109	176			90-270	710
HD13	1" BSP (F)	1	199	326	138		240		180
HD13	1" BSP (F)	2	199	326	138				180
HD13	1" Flanged	1	199	326	160		280		180
HD13	1" Flanged	2	204	331	160				180
HD14	1" BSP (F)	1	334	461	138		240		320
HD14	1" BSP (F)	2	334	461	138				320
HD14	1" Flanged	1	334	461	160		280		320
HD14	1" Flanged	2	339	466	160				320
HD11	2" BSP (F)	1	336	559	236		390	190-250	340
HD11	2" BSP (F)	2	336	559	236			190-250	340
HD11	2" BSP (F)	1	387	580	236		368	170-230	340
HD11	2" BSP (F)	2	387	580	236			170-230	340
HD11	2" Flanged	1	366	559	257		427	190-250	340
HD11	2" Flanged	2	373	566	257			185-245	340
HD11	2" Flanged	5	387	580	257		427	170-230	340
HD11	2" Flanged	6	387	580	257			170-230	340
HD12	2" BSP (F)	1	740	933	236		390	0-155 0-	710
HD12	2" BSP (F)	2	740	933	236			250 0-	710
HD12	2" BSP (F)	3	740	933	236	525	390	155 0-	710
HD12	2" BSP (F)	4,7,8	740	933	236	525		155 40-	710
HD12	2" BSP (F)	5	761	954	236		368	230 40-	710
HD12	2" BSP (F)	6	761	954	236			230 0-	710
HD12	2" Flanged	1	740	933	257		427	150 0-	710
HD12	2" Flanged	2	747	940	257			245 0-	710
HD12	2" Flanged	3	740	933	257	525	427	150 0-	710
HD12	2" Flanged	4,7,8	740	933	257	525		150 90-	710
HD12	2" Flanged	5	761	954	257		427	230 90-	710
HD12	2" Flanged	6	761	954	257			230	710

ALL DIMENSIONS (mm) ARE NOMINAL, NOT TO BE USED FOR INSTALLATION PURPOSES.

N = bag removal height.