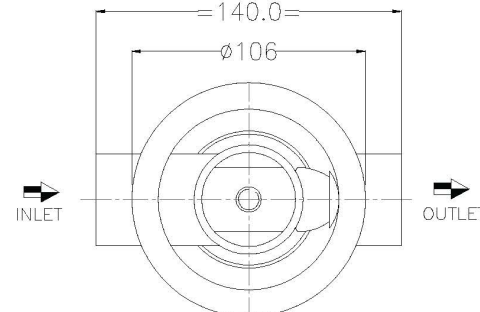
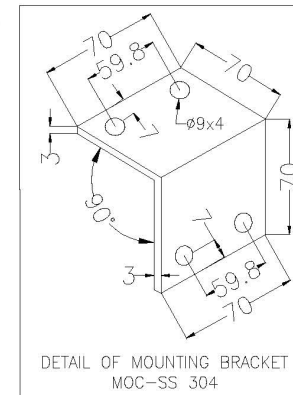
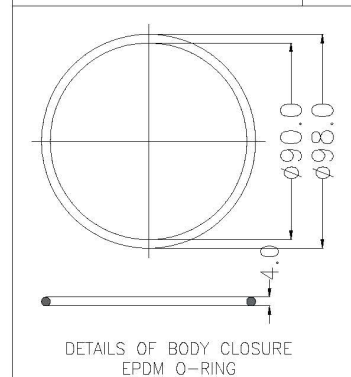
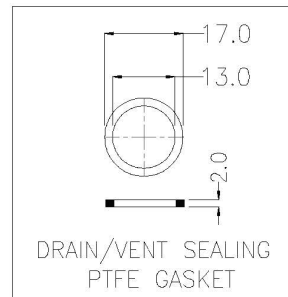


Bottom View of base



TOP View of base



DESIGN DATA		
DESCRIPTION	UNIT	SHELL
MEDIUM		--
PROCESS FLUID/PED GROUP		LIQUID/Art.4.3/SEP
PRESSURE	WORKING (MIN.-MAX.)	Ber(g) ---
	DESIGN	Ber(g) 24
TEMPERATURE	WORKING (MAX.)	°C ---
	DESIGN	°C 150
HYDRO TEST PRESSURE	Ber(g)	30
CORROSION ALLOWANCE	mm	NIL
RADIOGRAPHY		NIL
JOINT EFFICIENCY(SHELL/DISH)		0.7
ESTIMATED EMPTY VOLUME	Liters	1.9 (APPROX.)
EMPTY WEIGHT	Kg	--- (APPROX.)

NOZZLE DESCRIPTION				
NOZZLE	DESCRIPTION	SIZE	STANDARD/TYPE	MATERIAL
N1	PROCESS INLET	1"	BSP FEMALE THREADED	SS 316L
N2	PROCESS OUTLET	1"	BSP FEMALE THREADED	SS 316L
N3,N4	VENT	1/4"	BSP Plug	SS 316L
N5	DRAIN	1/4"	BSP Plug	SS 316L

GENERAL NOTES

- ALL DIMENSIONS ARE IN MILLIMETERS, UNLESS OTHERWISE SPECIFIED.
- ALL SHARP CORNERS TO BE ROUNDED OFF.
- BEFORE SHIPPING THE VESSEL MUST BE INTERNALLY CLEANED, DRAINED & DRIED.
- ALL BURRS & SHARP EDGES TO BE REMOVED.
SURFACE FINISH : EXTERNAL : ELECTRO POLISHED
INTERNAL : ELECTRO POLISHED
- MATERIAL: SS316L (DIE CAST)

MACHINING TOLERANCE UNLESS OTHERWISE STATED	FABRICATION TOLERANCE UNLESS OTHERWISE STATED
20DECIMAL PLAGE ± 0.13mm	100mm AND UNDER ± 2mm
10DECIMAL PLAGE ± 0.25mm	100mm TO 500MM ± 3mm
00DECIMAL PLAGE ± 0.5mm	500mm AND OVER ± 5mm ANGLE ± 0.5°




Van Borselen Filters B.V.
 info@vanborselen.nl

TITLE: 1RX107L DOE 1/0 1" BSPF SQUARE BODY FILTER HOUSING
 DRAWING NO. VBF0312212
 File No.: 9611DES3S400LL
 DRAWN BY/DATE: RHL / 03-12-2021
 CHECKED BY: _____
 APPROVED BY: _____

ANGLE OF PROJECTION: THIRD ANGLE
 PROJECTION METHOD: 

Rev No.	CHANGES	DATE

FORMAT: A1 SCALE: 1:1 SHEET NO: 1/1